

C

PUMPS

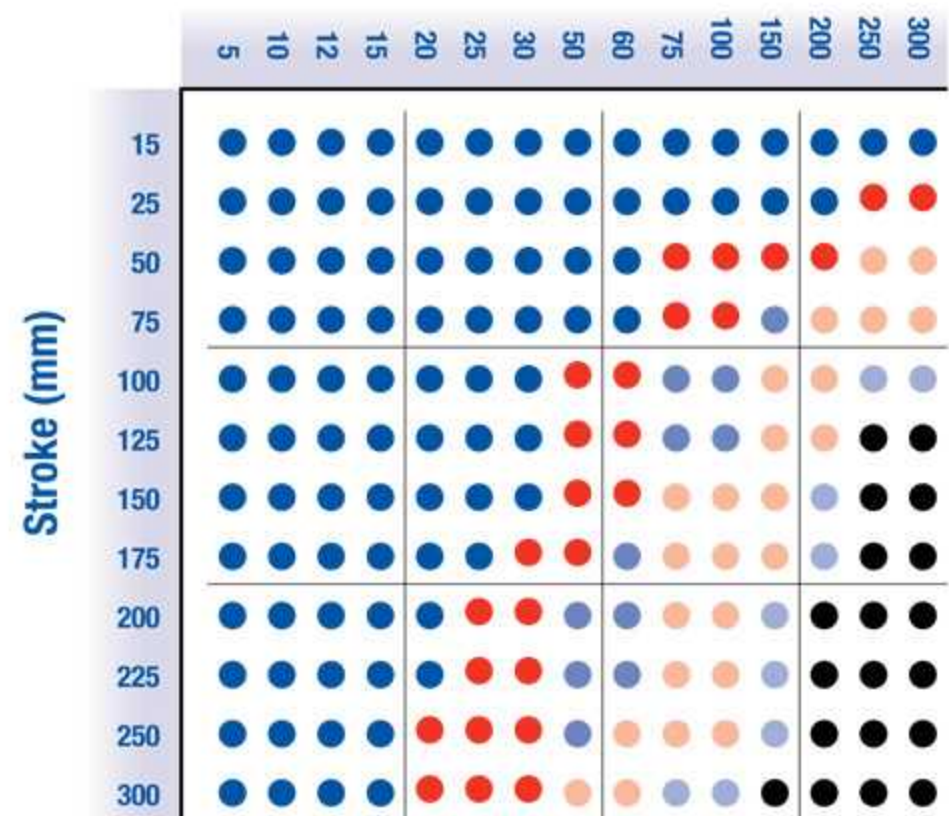
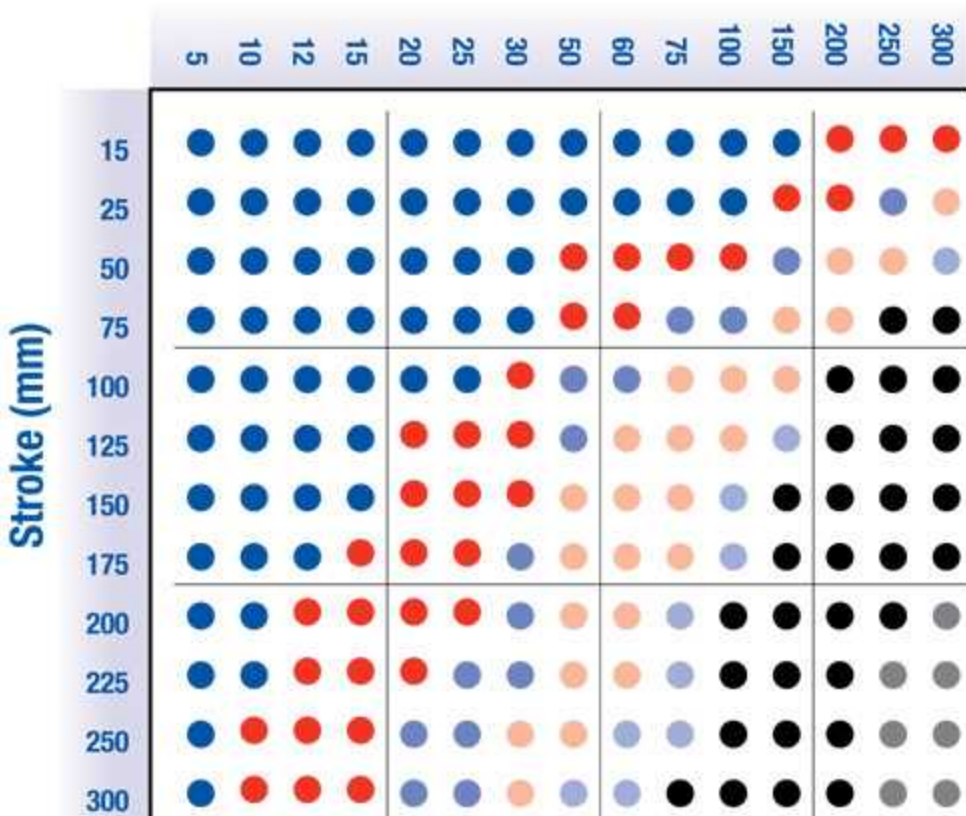


USABLE OIL (cc)	MODEL NO.
● 350	P-235 Series
● 700	P-170 & P-270
● 1,000	P-2100H
● 2,000	P-2200 Series
● 2,600	P-2600
● 8,000	P-2800 Series
● 8,000+	Power Pumps

HAND PUMP RESERVOIR CAPACITY TABLE

Single acting cylinder capacity (ton)

Double acting cylinder capacity (ton)



* 2,800 bar working pressure model

THE P-SERIES MANUAL HAND PUMPS OFFER A WIDE CHOICE OF STEEL AND ALUMINIUM BODIED MODELS.

Ideally suited to applications where portable manual hydraulic power is required. All models feature low handle effort for easy operation and are engineered for demanding industrial applications. Models are available to operate single and double acting cylinders and tools.

All P-Series hand pumps include a factory set safety pressure relief valve and come pre-filled with hydraulic oil.



C
PUMPS

OIL CAPACITY
350 - 8,000 cc

1ST STAGE FLOW RANGE
3.1 - 113 cc

MAXIMUM OPERATING PRESSURES
240 / 700 / 2,800 bar

SPECIFIC MODEL ADVANTAGES

- Drop forged pump head on models **P-170** and **P-270** for superior durability
- Unique oil reservoir breather incorporating a pressure relief valve to guard against accidental over pressurisation of the oil reservoir on models **P-2200**, **P-2200D** and **P-2260**
- Sealed bladder reservoir design on models **P-235A** and **P-235AT** allows operation in any position
- Twin outlet design pump head incorporating two needle valves on model **P-235AT**
- 2,800 bar working pressure model **P-2100H** can be used for bolt tensioning, bearing removal and high pressure testing

CYLINDER PISTON ROD SPEED TABLE

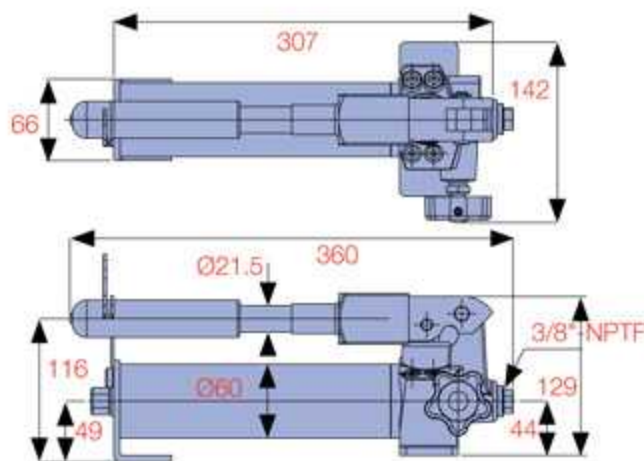
Model Number	Usable Oil (mL)	Pressure Stage	mm of movement for each stroke of the pump handle	Cylinder Capacity (ton)												
				5	10	15	20	25	30	50	75	100	150	200	250	
P-170	700	1st		5.0	2.1	1.5	1.1	0.9	0.7	-	-	-	-	-	-	-
P-235A	350	1st		6.2	2.6	1.9	1.3	1.1	0.9	-	-	-	-	-	-	-
		2nd		1.0	0.4	0.3	-	-	-	-	-	-	-	-	-	-
P-235AT	350	1st		6.2	2.6	1.9	1.3	1.1	0.9	-	-	-	-	-	-	-
		2nd		1.0	0.4	0.3	-	-	-	-	-	-	-	-	-	-
P-235	350	1st		5.0	2.1	1.5	1.1	0.9	0.7	-	-	-	-	-	-	-
		2nd		11.2	4.8	3.4	2.5	2.1	1.7	1.0	-	-	-	-	-	-
P-2200A	2,000	1st		1.6	0.7	0.5	0.4	0.3	0.2	0.1	-	-	-	-	-	-
		2nd		20.6	8.9	6.4	4.6	3.9	3.1	1.8	1.3	1.0	0.6	-	-	-
P-2200AD	2,000	1st		4.5	1.9	1.4	1.0	0.8	0.7	0.4	0.3	0.2	0.1	-	-	-
		2nd		20.6	8.9	6.4	4.6	3.9	3.1	1.8	1.3	1.0	0.6	-	-	-
P-2100H	1,000	1st		3.7	1.6	1.1	0.8	0.7	0.5	0.3	0.2	0.2	0.1	-	-	-
		2nd		20.8	9.0	6.4	4.6	3.9	3.1	1.8	-	-	-	-	-	-
P-2200	2,000	1st		1.0	0.4	0.3	0.2	0.2	0.2	0.1	-	-	-	-	-	-
		2nd		20.8	9.0	6.4	4.6	3.9	3.1	1.8	1.3	1.0	0.6	-	-	-
P-2200D	2,000	1st		4.5	1.9	1.4	1.0	0.8	0.7	0.4	0.3	0.2	0.1	-	-	-
		2nd		20.8	9.0	6.4	4.6	3.9	3.1	1.8	1.3	1.0	0.6	-	-	-
P-235L	350	1st		4.5	1.9	1.4	1.0	0.8	0.7	0.4	0.3	0.2	0.1	-	-	-
		2nd		4.5	1.9	1.4	1.0	0.8	0.7	0.4	0.3	0.2	0.1	-	-	-
P-270	700	1st		20.8	9.0	6.4	4.6	3.9	3.1	1.8	1.3	1.0	0.6	-	-	-
		2nd		4.5	1.9	1.4	1.0	0.8	0.7	0.4	0.3	0.2	0.1	-	-	-
P-2260	2,600	1st		48.0	20.7	14.8	10.6	9.0	7.1	4.2	2.9	2.3	1.5	1.0	-	-
		2nd		4.8	2.1	1.5	1.1	0.9	0.7	0.4	0.3	0.2	0.2	0.1	-	-
P-2800	8,000	1st		180.8	78.1	55.7	40.0	34.0	26.9	15.9	11.0	8.5	5.6	4.0	3.1	-
		2nd		6.4	2.8	2.0	1.4	1.2	1.0	0.6	0.4	0.3	0.2	0.2	0.1	-
P-2800D	8,000	1st		180.8	78.1	55.7	40.0	34.0	26.9	15.9	11.0	8.5	5.6	4.0	3.1	-
		2nd		6.4	2.8	2.0	1.4	1.2	1.0	0.6	0.4	0.3	0.2	0.2	0.1	-

C

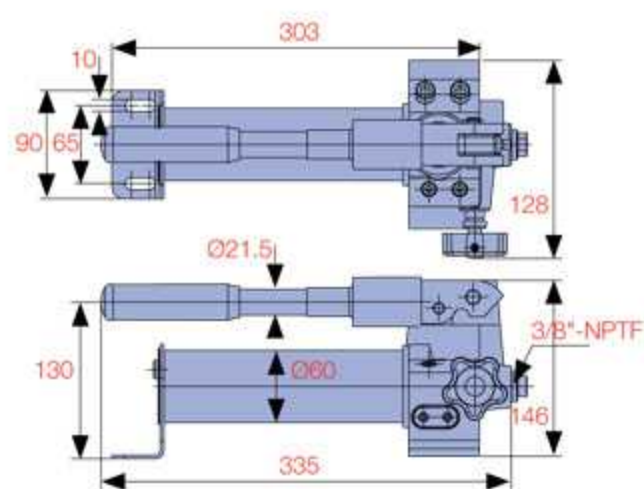
PUMPS



P-235



P-235L

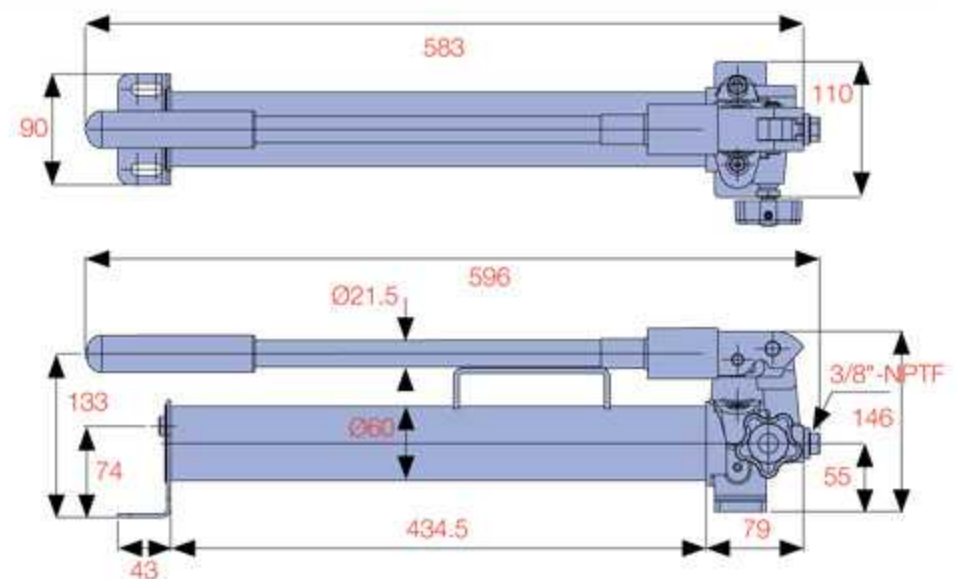


THE **P-SERIES** STEEL BODIED MANUAL HAND PUMP RANGE OFFERS A WIDE CHOICE OF TANK AND FLOW OPTIONS WHERE MANUAL PORTABLE HYDRAULIC POWER IS REQUIRED.

All pumps have a low handle effort for ease of operation and large, easy to grip external pressure release knobs. All models (excluding P-235L) incorporate a convenient carry handle. For applications requiring a high 1st stage flow the P-2260 offers 30cc per stroke within a compact portable package. Durapac's pump range is a robustly built industry proven performer.



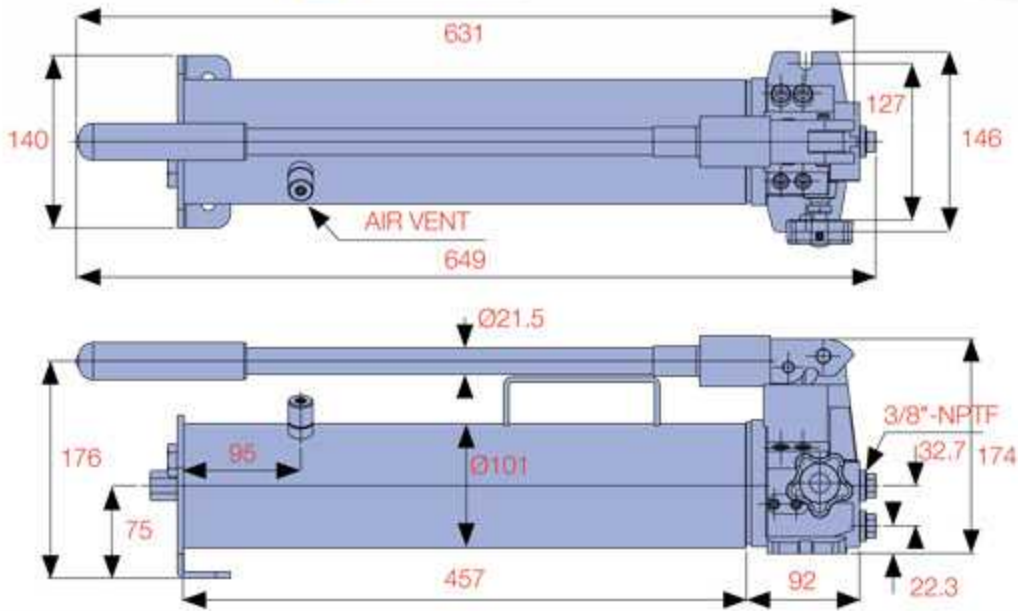
P-170



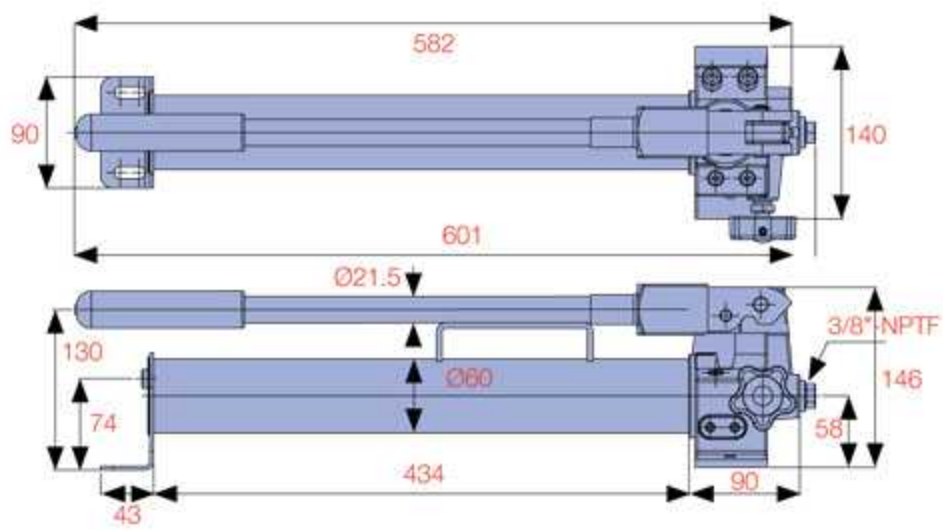
Model Number	Operation	Used with Cylinder	Valve Type	Pressure Rating (bar)		Usable Oil Capacity (cc)	Oil Volumes per Stroke (cc)		Oil Port Thread	Max. Handle Effort (kg)	Weight with Oil (kg)
				1st Stage	2nd Stage		1st Stage	2nd Stage			
P-235	Two Speed	S/A	2 Way	13.8	700	350	7.0	1.0	3/8"-NPTF	34	5.5
P-235L	Two Speed	S/A	2 Way	13.8	240	350	13.0	2.8	3/8"-NPTF	25	5.5
P-170	Single Speed	S/A	2 Way	700	-	700	3.1	-	3/8"-NPTF	33	6.5
P-270	Two Speed	S/A	2 Way	13.8	700	700	13.0	2.8	3/8"-NPTF	41	7.3
P-2200	Two Speed	S/A	2 Way	13.8	700	2,000	13.0	2.8	3/8"-NPTF	35	11.5
P-2200D	Two Speed	D/A	4 Way	13.8	700	2,000	13.0	2.8	3/8"-NPTF	37	11.5
P-2260	Two Speed	S/A	2 Way	28.0	700	2,600	30.0	3.0	3/8"-NPTF	36	13.5



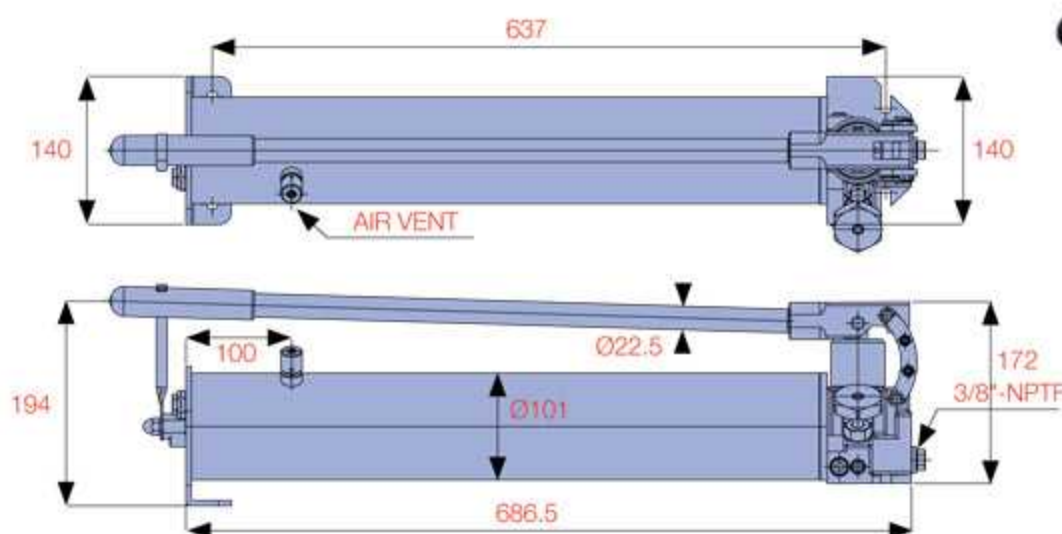
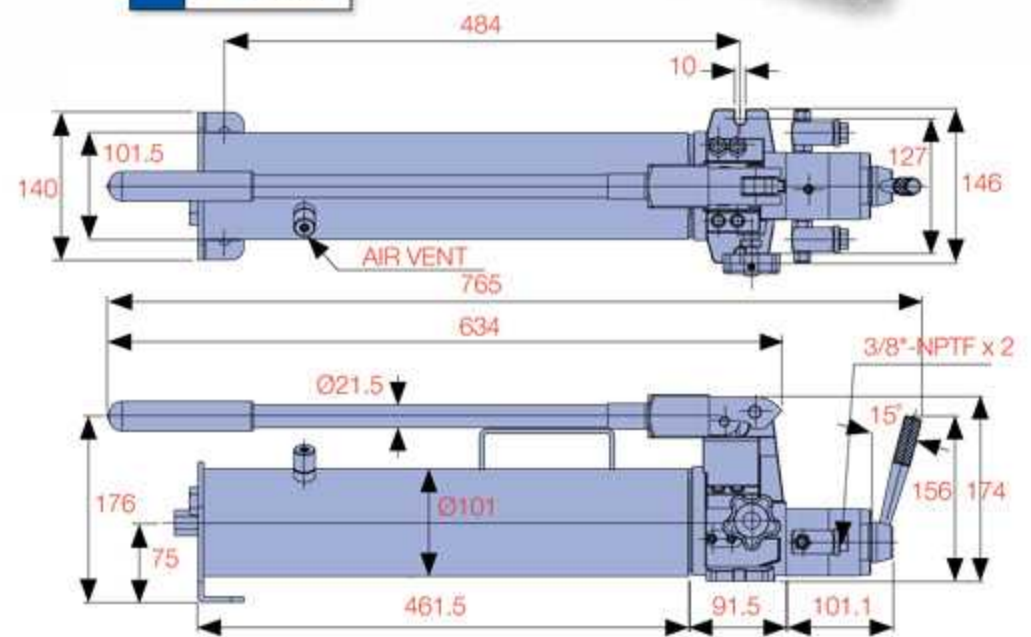
P-2200



P-270



P-2200D

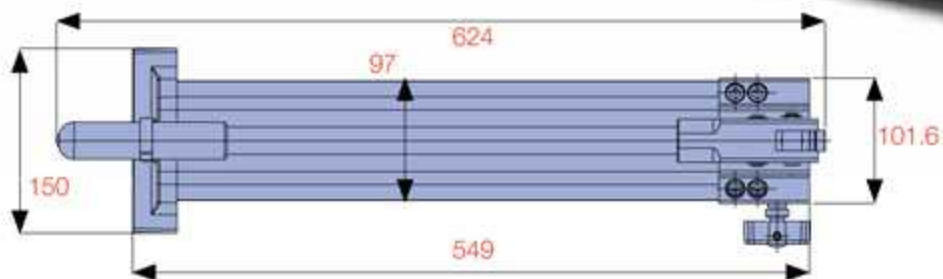


P-2260

OIL CAPACITY
350 - 2,600 cc

1ST STAGE FLOW RANGE
3.1 - 30 cc

MAXIMUM OPERATING PRESSURE
240 / 700 bar



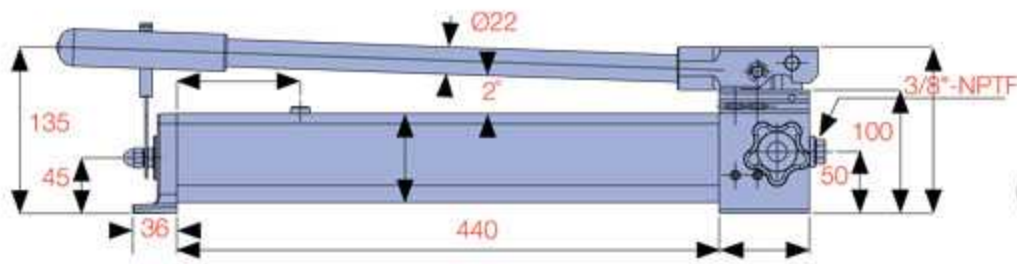
P-2200A



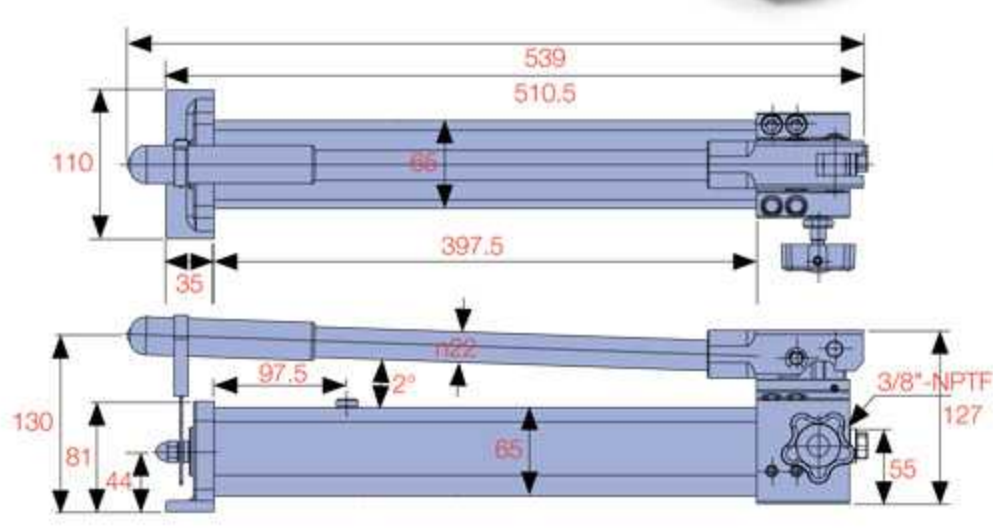
OIL CAPACITY
350 - 2,000 cc

1ST STAGE FLOW
3.9 - 13.0 cc

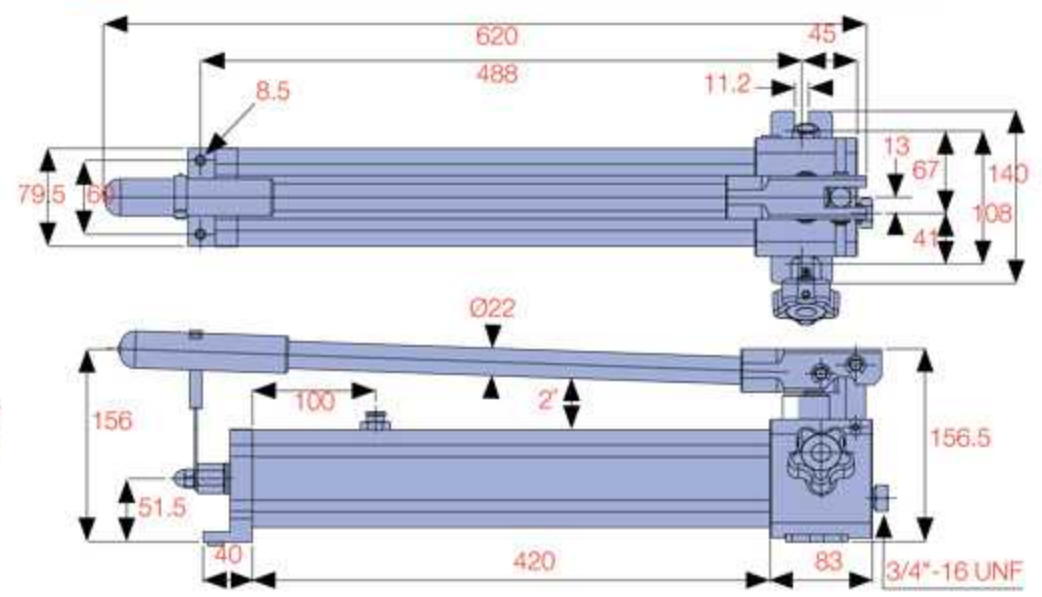
MAXIMUM OPERATING PRESSURE
700 / 2,800 bar



P-2100A



P-2100H ULTRA HIGH PRESSURE 2,800 BAR WP



PG-100-60K
4,000 bar pressure gauge

FGA-2
4,000 bar gauge adaptor
Includes connection nipples to suit pressure gauge and hand pump.

9/16\"-18UNF
3/4\"-16UNF
9/16\"-18UNF

30
50

Did you know...

Durapac offers high pressure gauges and a gauge adaptor to suit the P-2100H 2,800 bar hand pump.

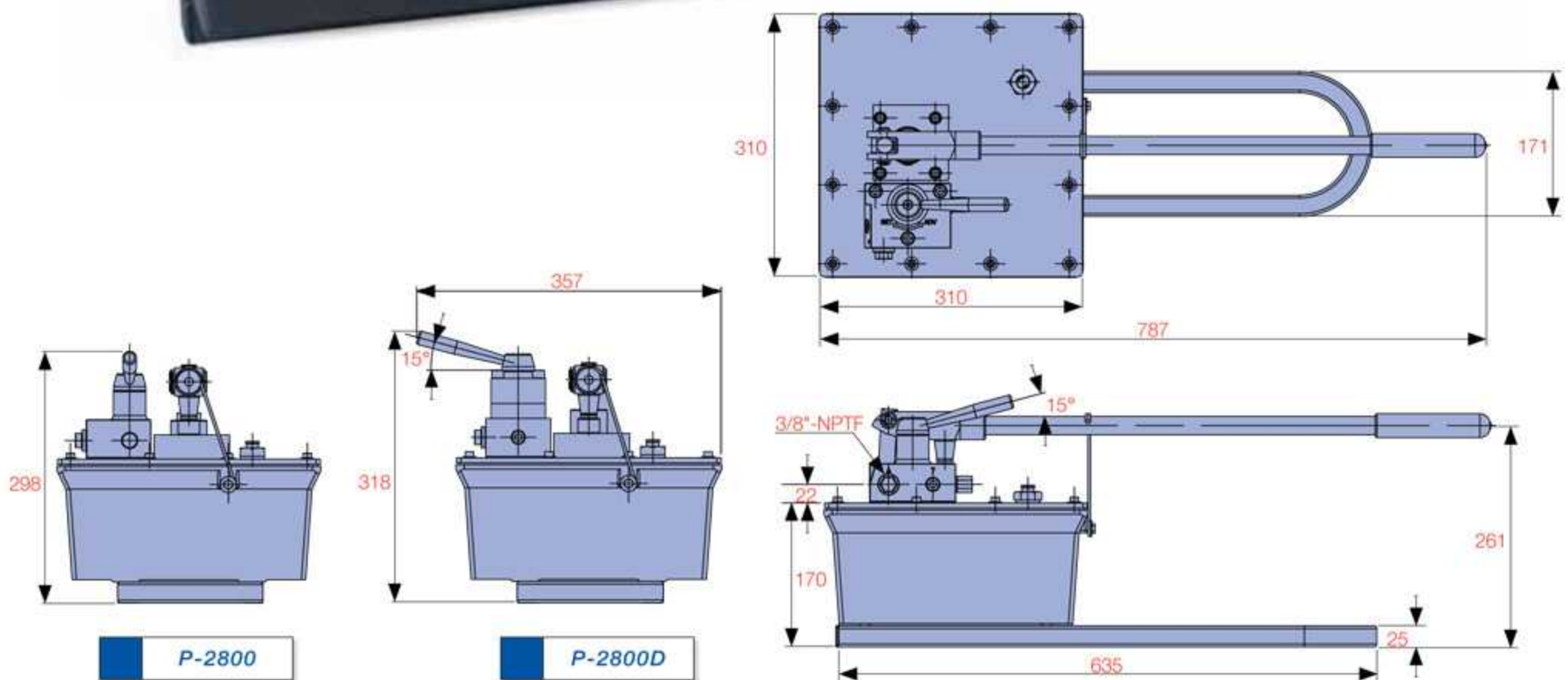




PUMPS

DURAPAC'S HIGH FLOW MANUAL PUMP RANGE IS THE ULTIMATE IN HIGH PERFORMANCE 2 SPEED PORTABLE POWER.

Ideally suited to operate high tonnage cylinders where conventional power sources are not available. Both models feature a first stage high flow of 113 cc per stroke for fast cylinder advance and retract and a high pressure power flow of 4 cc per stroke. Available with a 2 way valve for single acting applications or a 4 way valve for double acting applications. Durapac's pump range is robustly built and an industry proven performer.



Model Number	Operation	Used with Cylinder	Valve Type	Pressure Rating (bar)		Usable Oil Capacity (cc)	Oil Volumes per Stroke (cc)		Oil Port Thread	Max. Handle Effort (kg)	Weight with Oil (kg)
				1st Stage	2nd Stage		1st Stage	2nd Stage			
P-2800	Two Speed	S/A	2 Way	27.5	700	8,000	113.0	4.0	3/8"-NPTF	29	29.0
P-2800D	Two Speed	D/A	4 Way	27.5	700	8,000	113.0	4.0	3/8"-NPTF	29	30.0